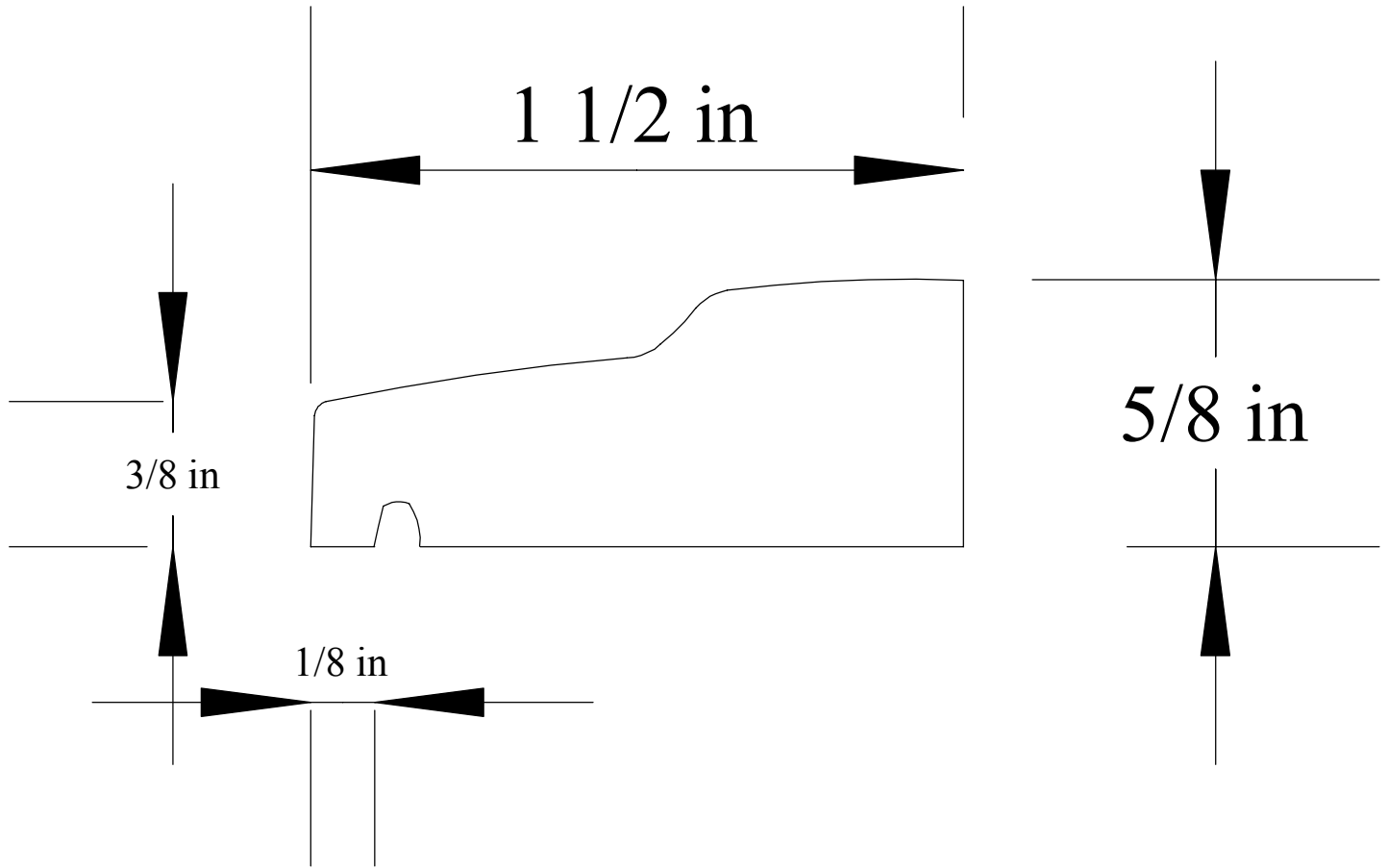


# Drip Cap



**Edmund Allen Lumber**

**Date:** \_\_\_\_\_

I agree that this drawing and the dimensions provided are correct and I give permission to Edmund Allen Lumber to proceed with this job. This material has been special ordered and is not returnable.

**Signature:** \_\_\_\_\_

